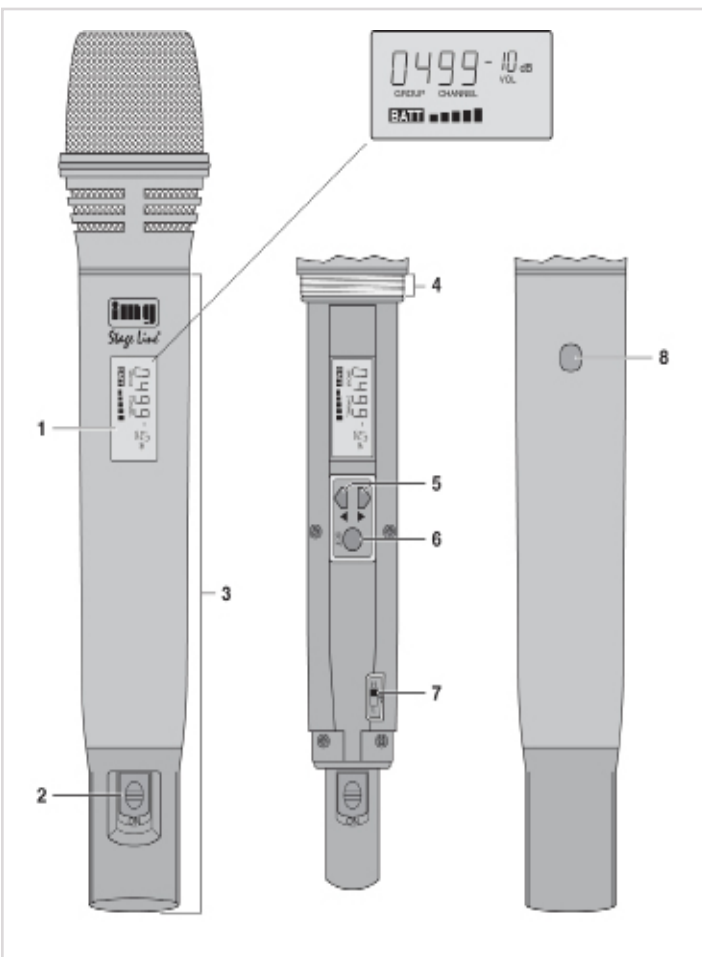


TECHNICAL DATA

- Carrier frequency: 672.000-696.975 MHz
- Transmitting power: 25 mW/2.5 mW
- Audio frequency range: 30-18,000 Hz, ±3 dB
- Frequency stability: ±0.005 %
- Operating time: > 8 h
- Dimensions: Ø 51 mm x 265 mm
- Weight: 312 g



- Dynamic microphone cartridge, cardioid characteristic.
- 1,000 selectable UHF frequencies (672.000-696.975 MHz), can be synchronised with the receivers TXS-606, TXS-626 or TXS-646 via ACT function.
- Adjustable sensitivity.
- Switchable transmitting power (high: 25 mW/low: 2.5 mW).
- LCD for group/channel, audio level and battery status.
- Power supply via 2 x 1.5 V battery AA size (not supplied).