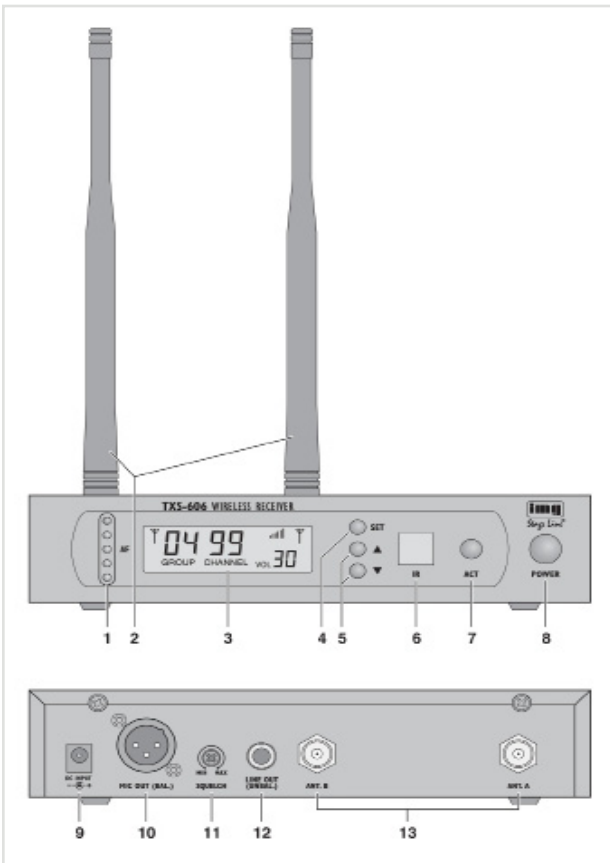


TECHNICAL DATA

- Carrier frequency: 672.000-696.975MHz
- RF S/N ratio: 105dB
- Audio frequency range: 30-18,000Hz
- THD: <0.5%
- Dynamic range: 120dB
- Audio output: 350mV/600 ohm (jack)  
25mV/600 ohm (XLR, bal.)
- Admiss. ambient temp: 0-40 °C
- Power supply: via suppl. plug-in PSU
- Dimensions: 212x45x180mm
- Weight: 930g



- 1,000 selectable UHF channels (672.000-696.975MHz) in 10 groups with 100 channels each.
- ACT function for transmitting the selected frequency to pocket transmitter TXS-606LT or hand-held microphone TXS-606HT via infrared signal.
- Automatic scan.
- True diversity system with removable antennas (BNC connection).
- Volume and squelch can be adjusted.
- LCD for group/channel, antenna A/B, RF transmitting level and AF audio level.
- Additional LED level display for audio level.
- XLR output and 6.3mm output.
- Robust metal housing.
- Supplied with PSU.