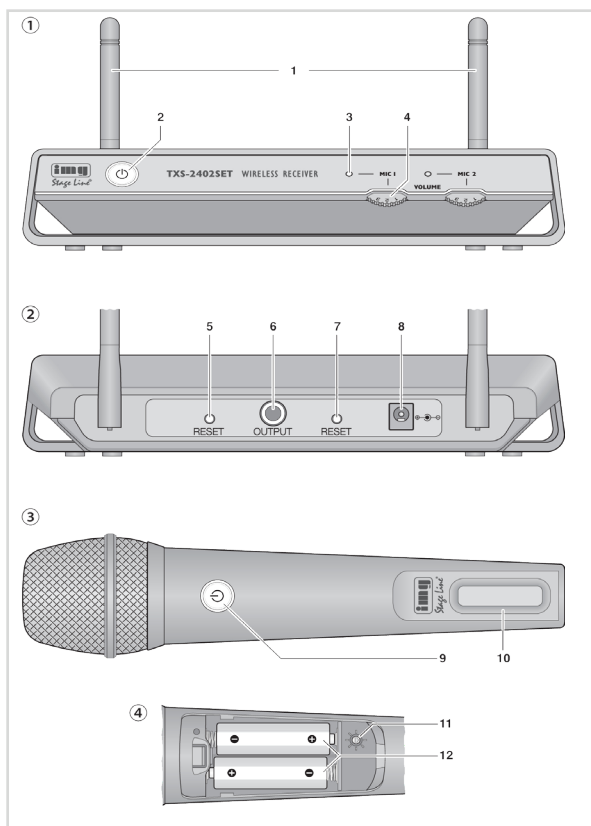


- 2 microphone transmitters, 1 receiver, 1 plug-in PSU.
- High resistance to interference due to digital transmission.
- 2 systems can be used simultaneously (corresponds to 4 microphone transmission paths)
- 16 frequencies (2,404-2,476 MHz) for each channel can be selected at the transmitter.
- Receiver with wireless automatic configuration.
- Volume control for each channel.
- 6.3 mm output for mixed signal.
- Microphone cartridges of supercardioid characteristic.



TECHNICAL DATA

- Carrier frequency: 2,404-2,476 MHz
- Transmitting power: 10 mW
- Audio range: 80-12,000 Hz
- Dynamic range: 87 dB
- THD: < 10 %
- Audio output: 100 mV/600 Ω
- Operating range: approx. 30 m (free field outdoors) approx. 20 m (indoors)
- Admiss. Ambient temp. 0-40 °C
- Transmitter: 2 x 1.5 V batt. AA size
- Receiver: Via suppl. plug-in PSU
- Dimensions: (Transmitter) Ø 54 mm x 225 mm
(Receiver) 220x45x150 mm
- Weight: (Transmitter) 120 g (Receiver) 550 g
- Connections: 1 x 6.3 mm jack, unbal.